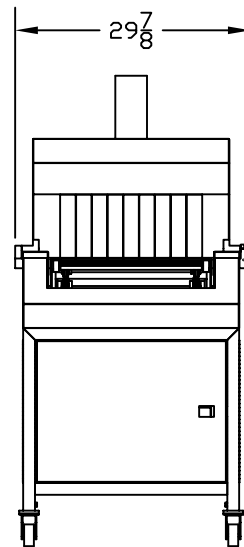
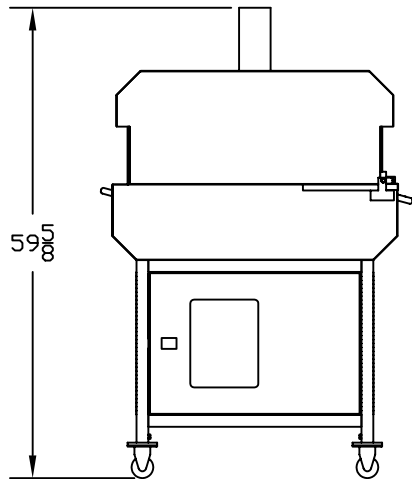


UTILITY REQUIREMENTS  
 480 VAC 3PH./ 40 AMP  
 120 VAC 1PH./ 20 AMP  
 3/8" WATER LINE



MATERIAL:  
 BLANK SIZE:

TOLERANCE BLOCK	
ALL TOLERANCES AS FOLLOWS EXCEPT WHERE NOTED	
DECIMALS	
.000	- ± .005
.00	- ± .015
.0	- ± .100
FRACTIONS	- ± 1/16

<b>STARFLEX CORPORATION</b> JONESBORO, GEORGIA		
TITLE	<i>Hot Water Tunnel</i>	
DRAWING #	<b>SHWT-1800-L00</b>	
MACHINE	<b>SHWT-1800</b>	
REV: -	DATE <b>3/26/02</b>	DRAWN BY <b>M.K.</b>